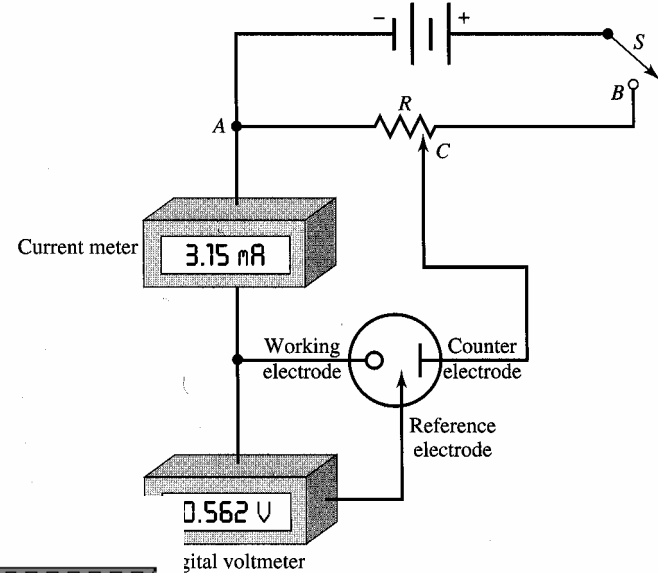
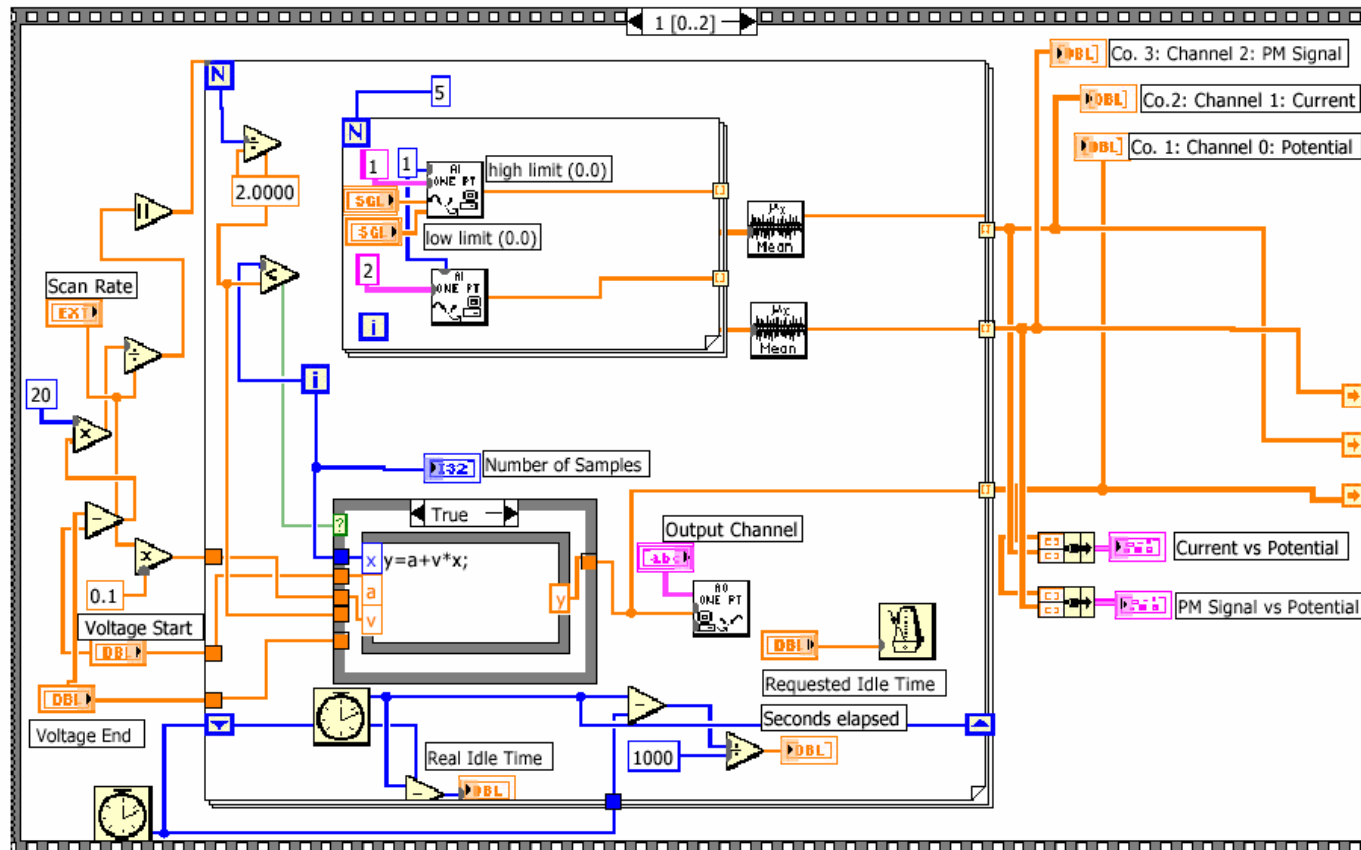


LabVIEW consideration:
 Triangle waveform-----LabVIEW
 Current meter-----potentiostat
 Let's test DF81.vi



Block Diagram



Assignment 2:
 Use 472ai.vi and 472ao.vi to replace the output and input sub Vis in DF81.vi and run it.
 Email your vi to zfding@uwo.ca by Thursday, Feb 25th.